

The **Gasman** Advantage

Sight Glass / Moisture Indicators, Replaceable Element



Application

Gasman Sight Glass Indicator is Compatible with all CFC, HCFC and HFC Refrigerants and oils and other Industrial gases / fluids non-corrosive to steel and brass. (With suitable Seal Material).

Construction

- Body: Hot Forged Brass (BS-218).
- Element: Imported fused glass with colour indicator.
- Seal: Neoprene 'O' ring.
- Copper Tube: As per Refrigeration standards.

Design

- Superior Body design allows Gripping while tightening / loosening Flare Connections / Replaceable element.
- Full port openings for maximum flow.

Operation & Testing.

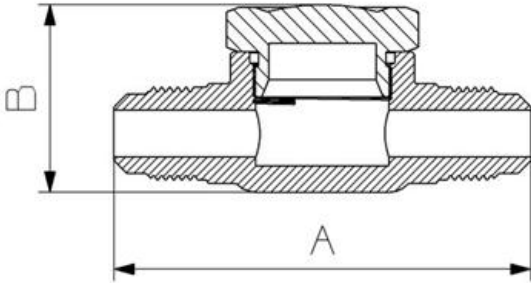
- Maximum working pressure: 400 psig.
- Working Temperature Range: (-30°C + 100°C).
- Individual Pneumatic Testing at 400 psig.

Installation for solder Connection

- While brazing solder connection, disassemble the **Replaceable Element** and use suitable filler material.
- While re-assembling the **Replaceable Element** allow the body to cool to room temperature and clean the part thoroughly. Use appropriate torque to avoid damage to the Neoprene 'O' ring/Brass Body.

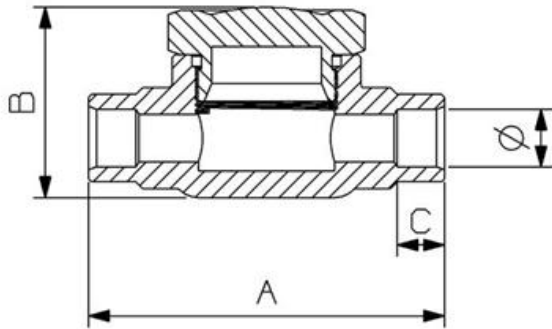
The Gasman Advantage

Flare to Flare



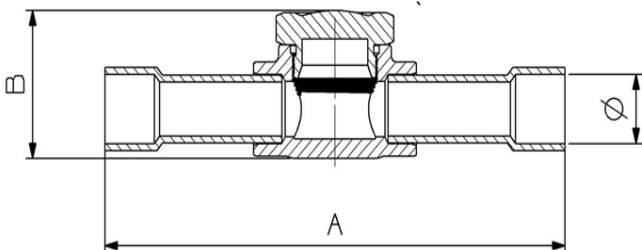
Part No.	Size (in)	A (mm)	B (mm)	WT (gm)
SGI-06	1/4	70	30	163
SGI-10	3/8	72	32	165
SGI-12	1/2	81	35	213
SGI-15	5/8	88	36.50	240

Solder to Solder



Part No.	Size (in)	A (mm)	B (mm)	C (mm)	\varnothing ± 0.10 (mm)	WT (gm)
SGI-06-S	1/4	57	30	8	6.50	165
SGI-10-S	3/8	60	32	8	9.70	161
SGI-12-S	1/2	67	31.80	10	12.90	160
SGI-15-S	5/8	75	36.50	12	16	203

Copper End Connection



Part No.	Size (in)	A (mm)	B (mm)	C (mm)	\varnothing ± 0.10 (mm)	WT (gm)
SGI-19-SC	3/4	146	41.50	15	19.20	*
SGI-22-SC	7/8	160	45	20	22.40	*
SGI-28-SC	1.1/8	160	54	22	28.80	*
SGI-35-SC	1.3/8	200	60	24	35.10	*
SGI-42-SC	1.5/8	200	66.50	26	41.50	*
SGI-54-SC	2.1/8	200	78.50	34	54.10	*

*Pending

The **Gasman** Advantage

Sight Glass / Moisture Indicator,
(Replaceable Element)

Material Specification		
No	Part	Material
1	Element	Steel and Glass
2	'O' Ring	Neoprene Rubber
3	Body	Forged Brass (BS-218)

