

# The **Gasman** Advantage

## Globe Valves



### Application.

**Gasman** Globe Valves are compatible with all CFC, HCFC and HFC Refrigerants and oils and other Industrial gases / fluids non-corrosive to Steel and Brass. ( With suitable Seal Material ).

### Construction

- Valve Body: Hot Forged Brass (BS-218).
- Valve Bonnet: Hot Forged Brass (BS-218).
- Spindle: Specially Treated and plated steel
- Gland Nut: Extruded brass.
- Stem packing: Neoprene/ **Asbestos Free** gasket.
- Seat: P.T.F.E.
- Bonnet cap: Steel and plated.

### Design

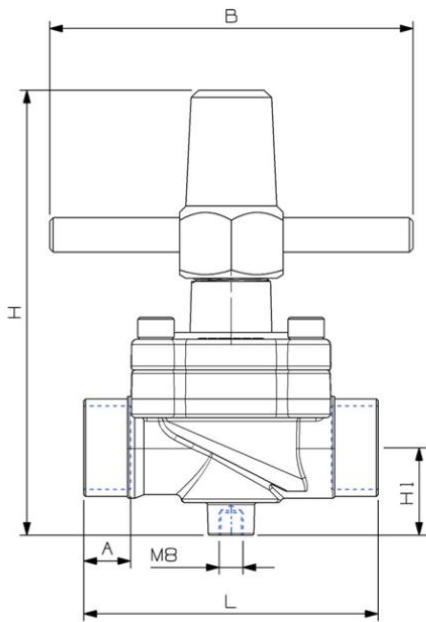
- The Globe valve has large orifice and integrally forged flow path for maximum flow rate and minimal pressure drop.
- Internal back seating enables replacement of the spindle seal whilst the valve is active, i.e. under pressure.

### Operation & Testing.

- Maximum working pressure with flow in direction of Arrow mark 400 psig.
- Working Temperature Range : - (-30°C + 100°C).
- Individual pneumatic Testing in Open/Close position at 400 psig.

### Installation for Solder connection

- While brazing solder connection, disassemble the Valve and use suitable filler material for brazing.
- While re-assembling the Valve allow the Valve body to cool to room temperature and clean the part thoroughly. For leak tight sealing use Torque wrench set at correct load to avoid damage to the Seal and Valve.

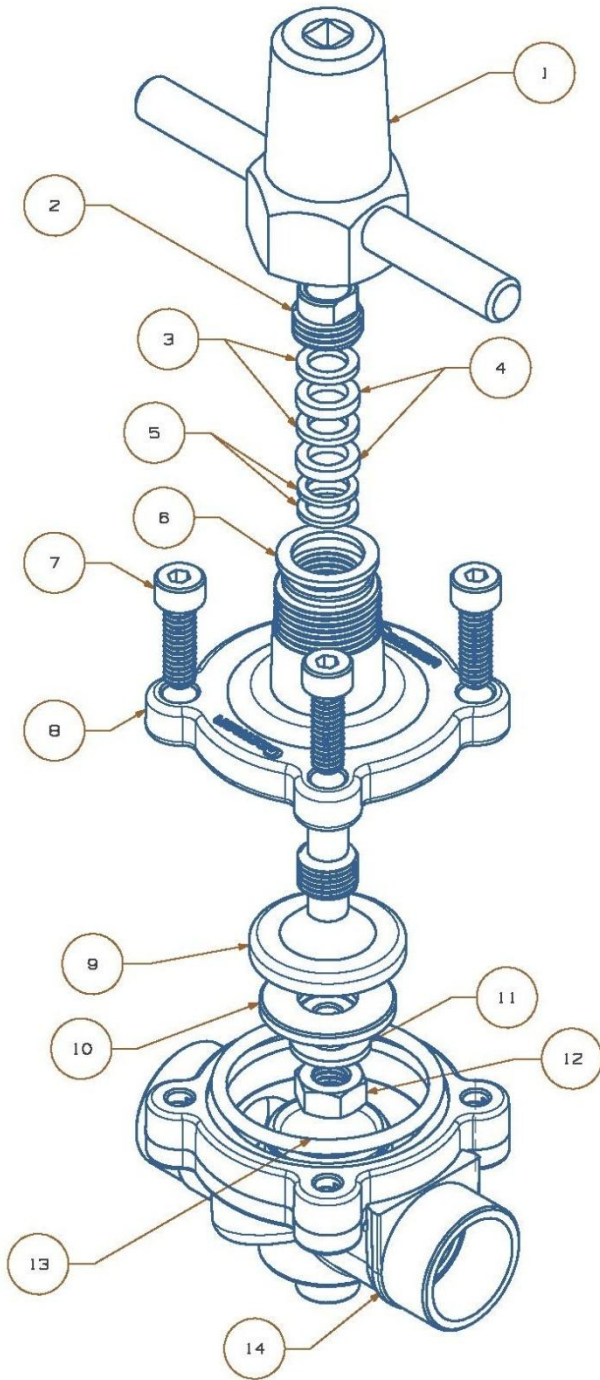


Part No.	Size (in)	H (mm)	H1 (mm)	L (mm)	A (mm)	B (mm)	WT (Kg)
GV-12	1/2	124.5	24.2	81	13	100	*
GV-15	5/8						*
GV-19	3/4	124.5	24.2	81	13	100	*
GV-22	7/8						*
GV-28	1.1/8	146.5	29.5	82	14	110	*
GV-35	1.3/8	158	33.2	96	14	110	*
GV-42	1.5/8	181	37.5	101	14	120	*

\*Pending

# Gasman

## Globe Valves



Material Specification		
No	Part	Material
1	Cap	Steel Plated
2	Gland Nut	Extruded Brass
3	Gland Packing	Asbestos Free
4	Gland Packing	Neoprene
5	Gland washer	Brass
6	Cap Packing	Neoprene
7	Bolt	Steel Plated
8	Bonnet	Forged Brass (BS-218)
9	Spindle	Forged Steel Plated
10	Seat	Teflon (PTFE)
11	Seat Retainer	Extruded brass
12	Spindle Nut	Steel
13	Body Packing	'O' Ring Neoprene
14	Body	Forged Brass BS-218